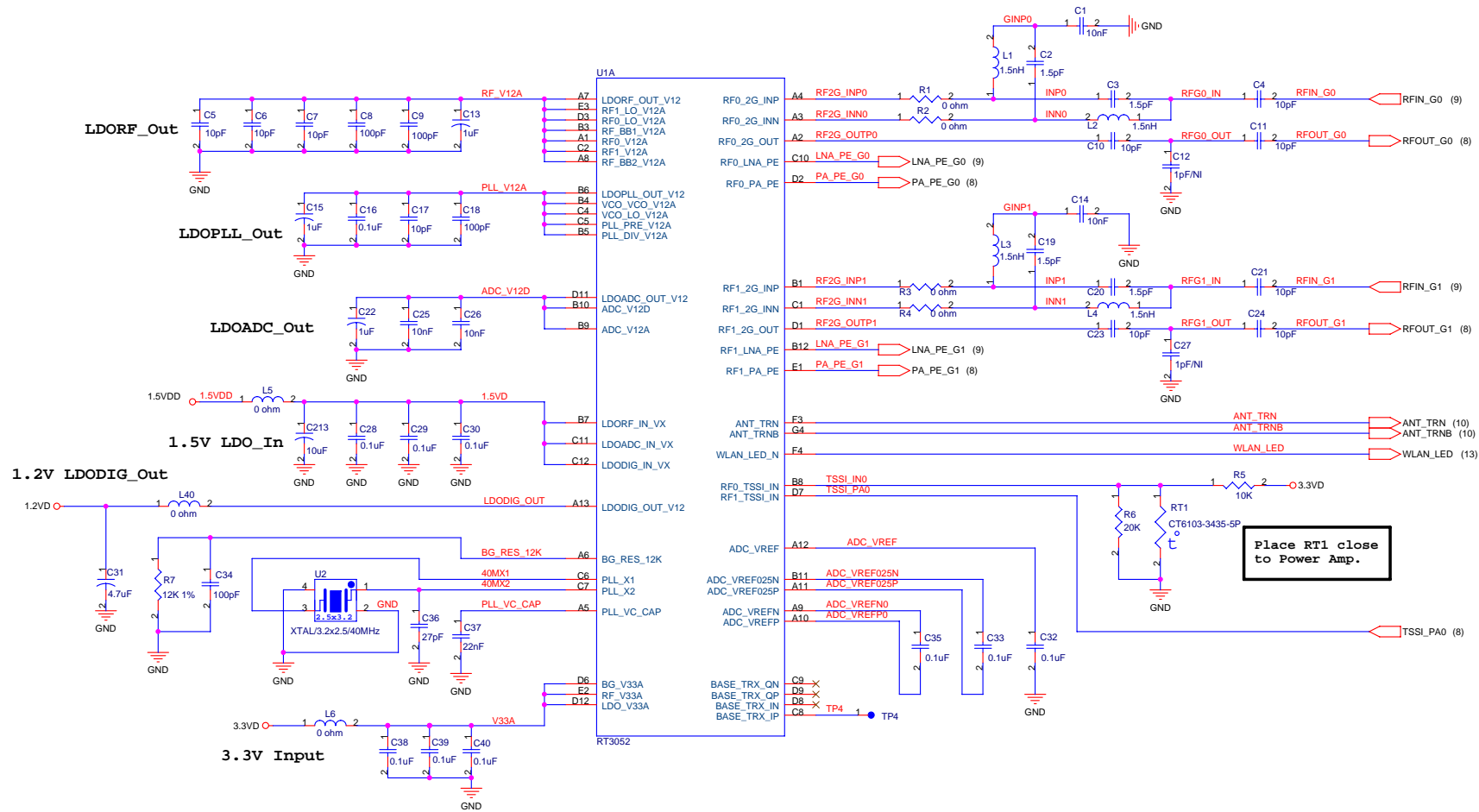

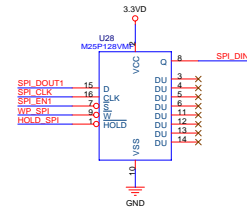
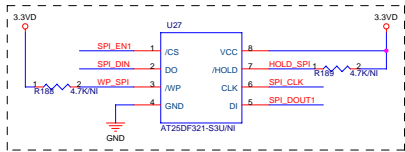
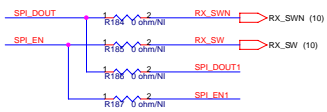
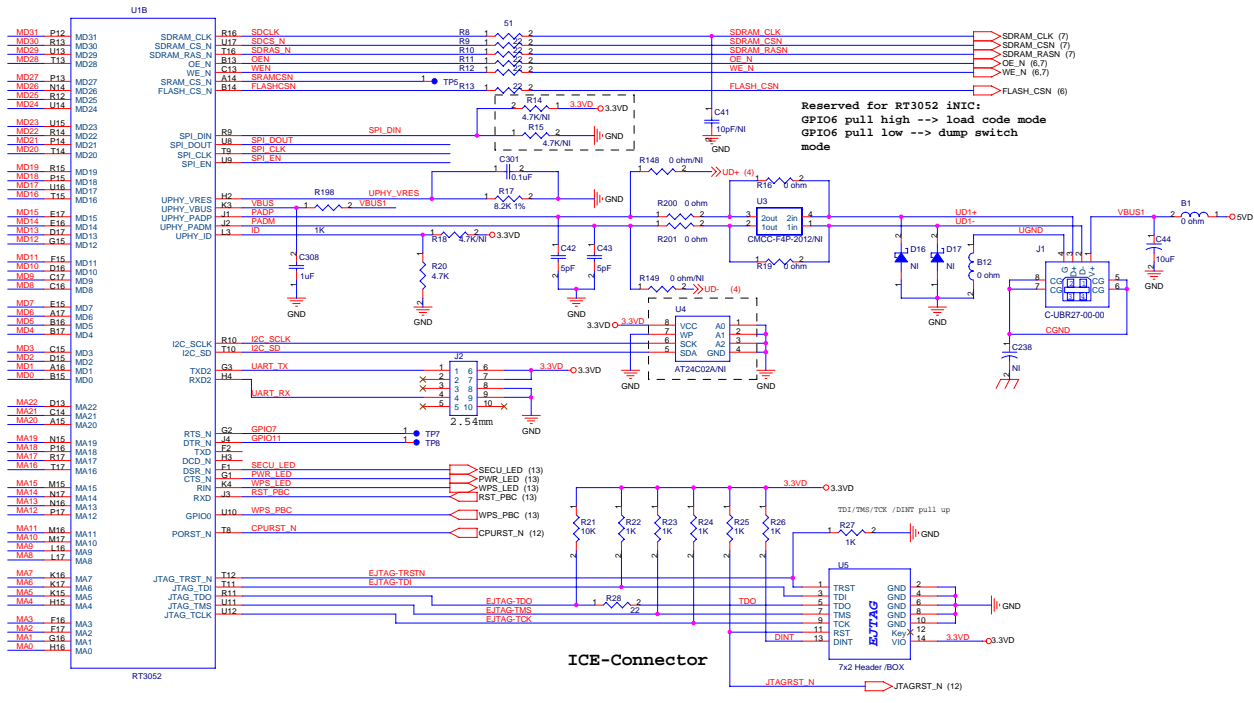
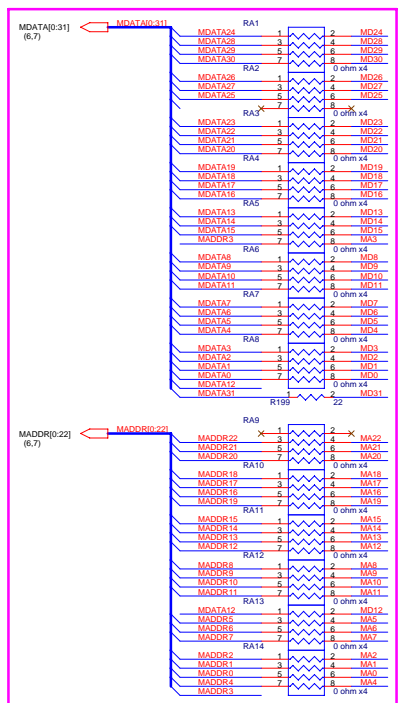


Filename:
AP-RT3052-V24SG-LNA-2X2-090414.DSN

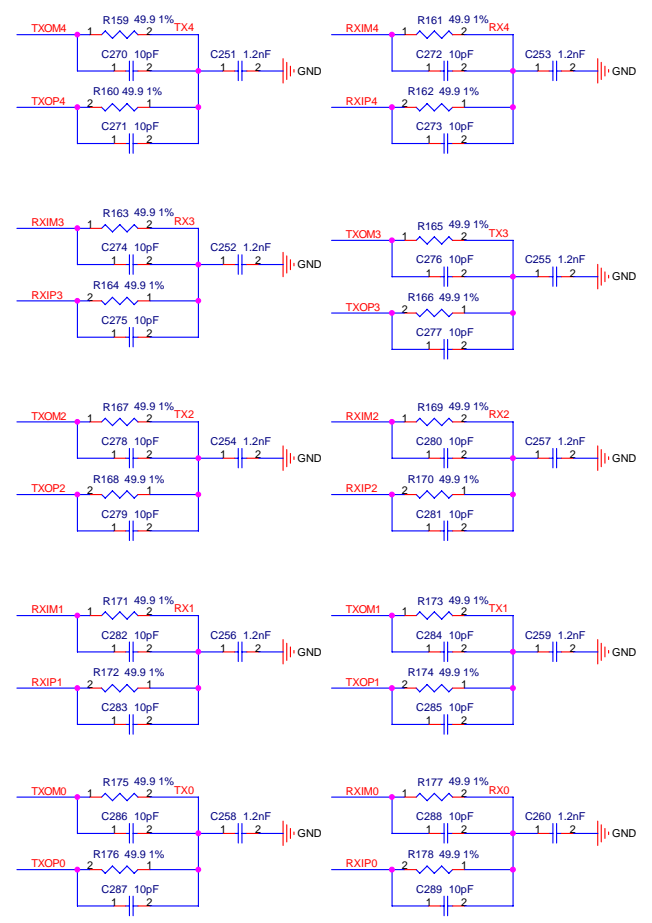
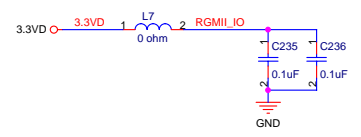
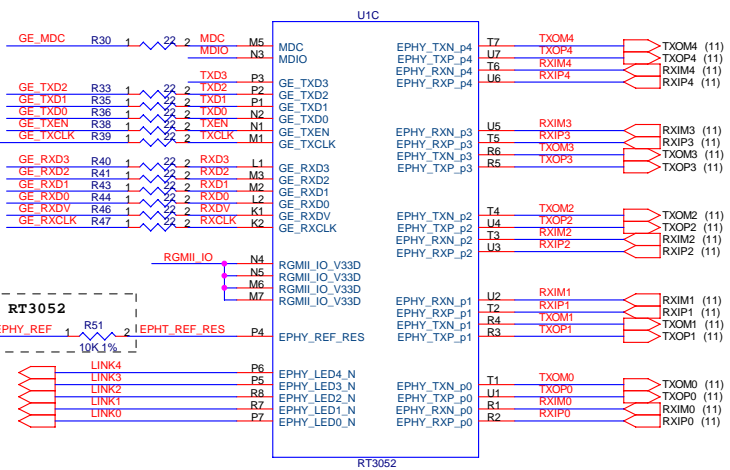
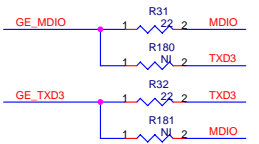
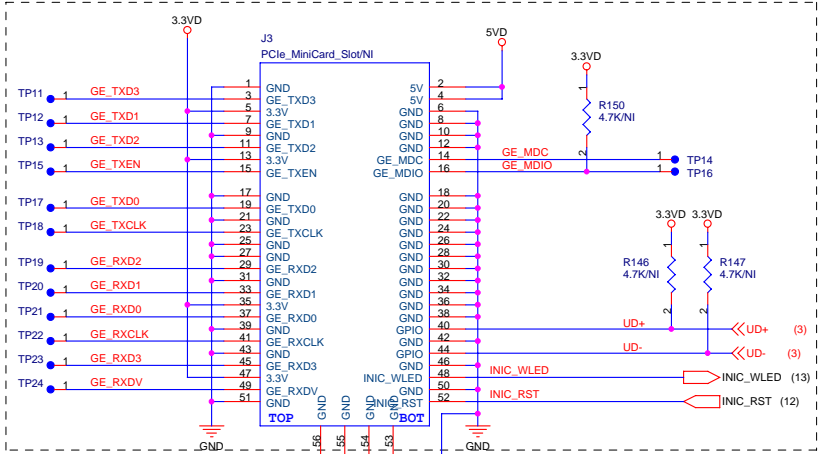
RALINK TECHNOLOGY, CORP. CONFIDENTIAL		
	Title	11n 2.4G AP-RT3052
	Size	Document Number AP-RT3052-V23RW-LNA.SCH
Date:	Tuesday, April 14, 2009	Sheet 1 of 14
		Rev 2.4



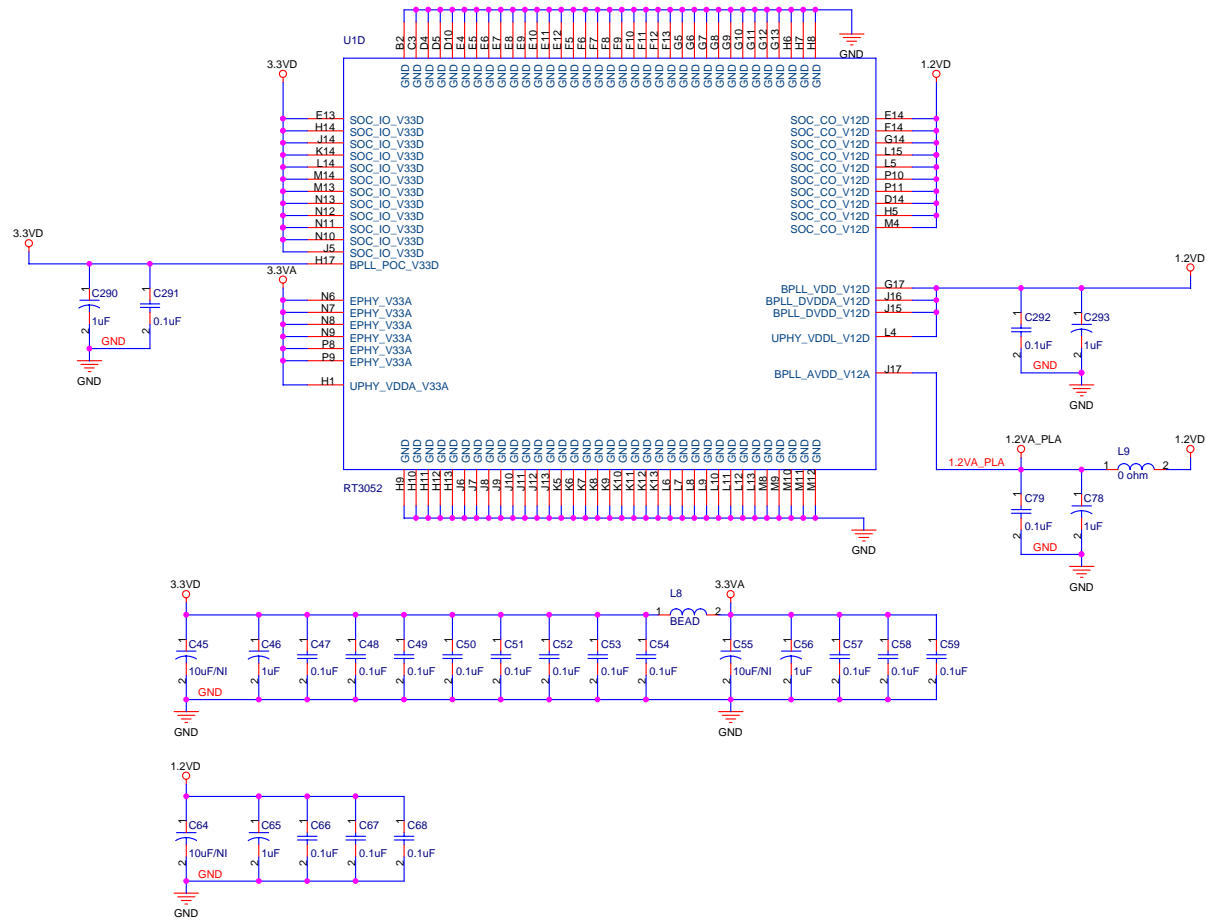
		RALINK TECHNOLOGY, CORP. CONFIDENTIAL	
		Title RT3052-A RF	
Size B	Document Number 11-RT3052-RF-A.SCH	Rev 2.4	
Date: Monday, April 06, 2009	Sheet 2 of 14		




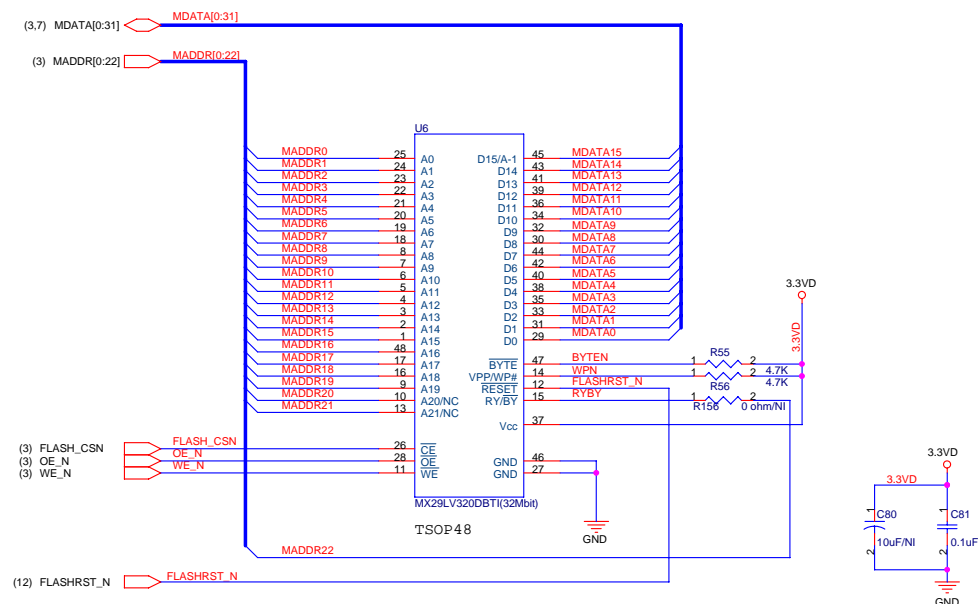
RALINK TECHNOLOGY, CORP. CONFIDENTIAL			
Title	RT3052-B Peripheral		
Size	Document Number		
C	12-RT3052-Peripheral-B.SCH		
Date	Monday, April 06, 2009	Sheet	3 of 14
Rev	2.4		



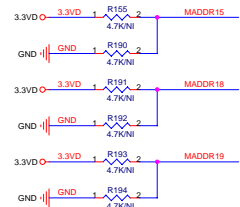
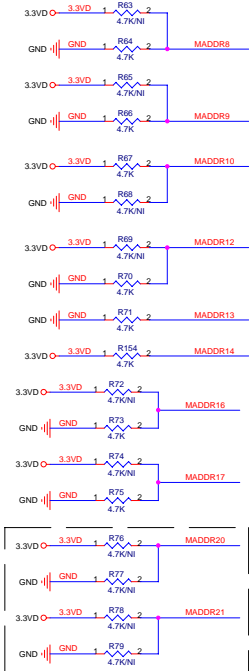
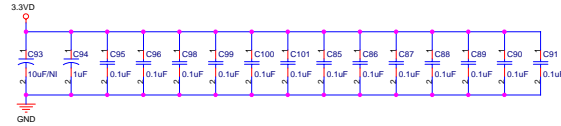
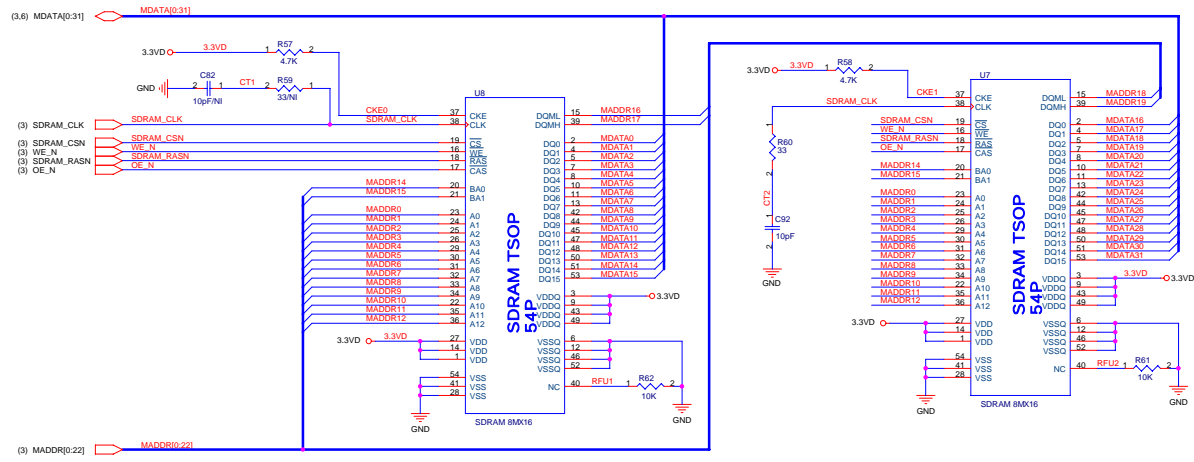
		RALINK TECHNOLOGY, CORP. CONFIDENTIAL	
		Title: RT3052-C Ethernet	
Size: B	Document Number: 13-RT3052-Ethernet-C.SCH	Rev: 2.4	
Date: Monday, April 06, 2009	Sheet: 4	of: 14	



RALINK TECHNOLOGY, CORP. CONFIDENTIAL		
		
Title	RT3052-D Power	
Size	Document Number	Rev
B	14-R3052-Power-D.SCH	2.4
Date:	Monday, April 06, 2009	Sheet 5 of 14

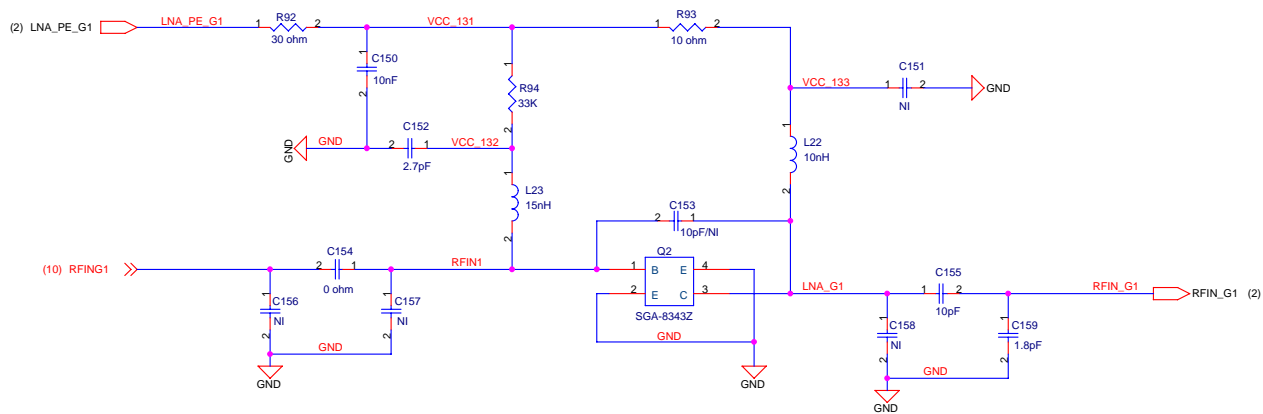
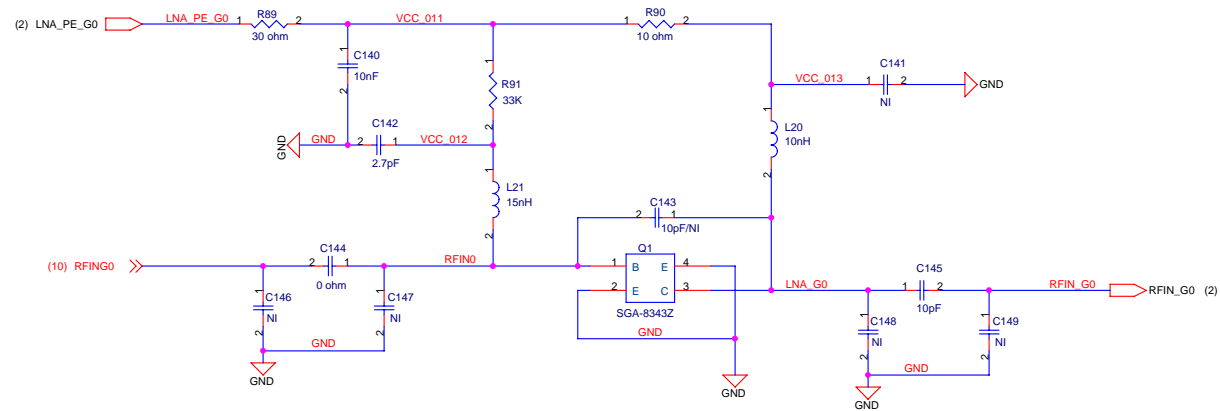



Ralink TECHNOLOGY, CORP. CONFIDENTIAL		
Ralink		
Title	Flash	
Size	Document Number	Rev
B	21-FALSH.SCH	2.4
Date:	Monday, April 06, 2009	Sheet 6 of 14

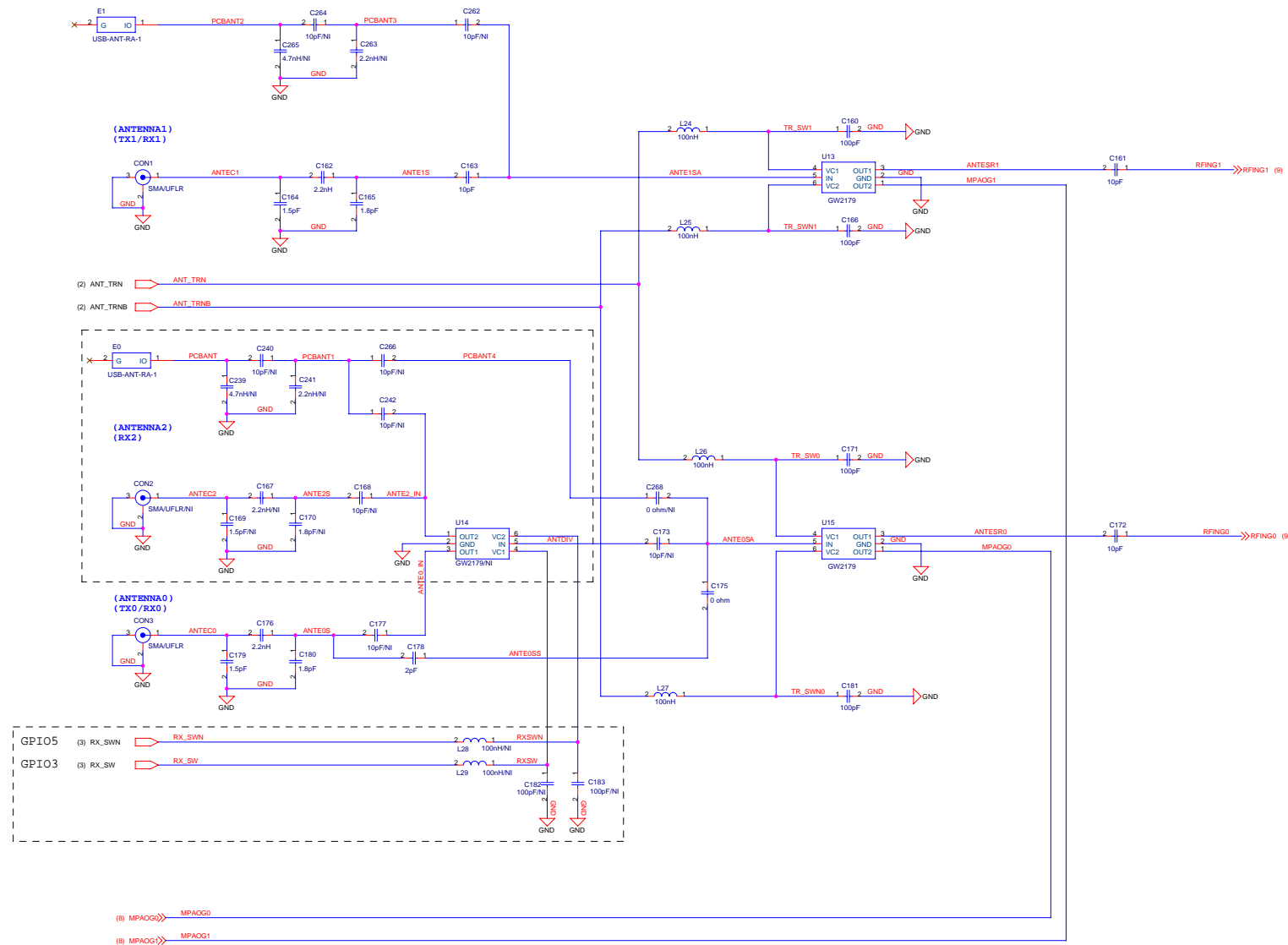


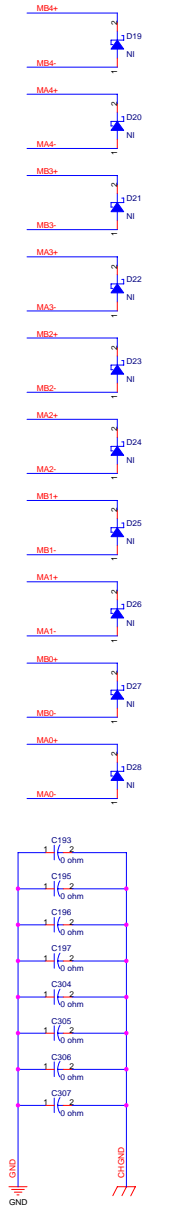
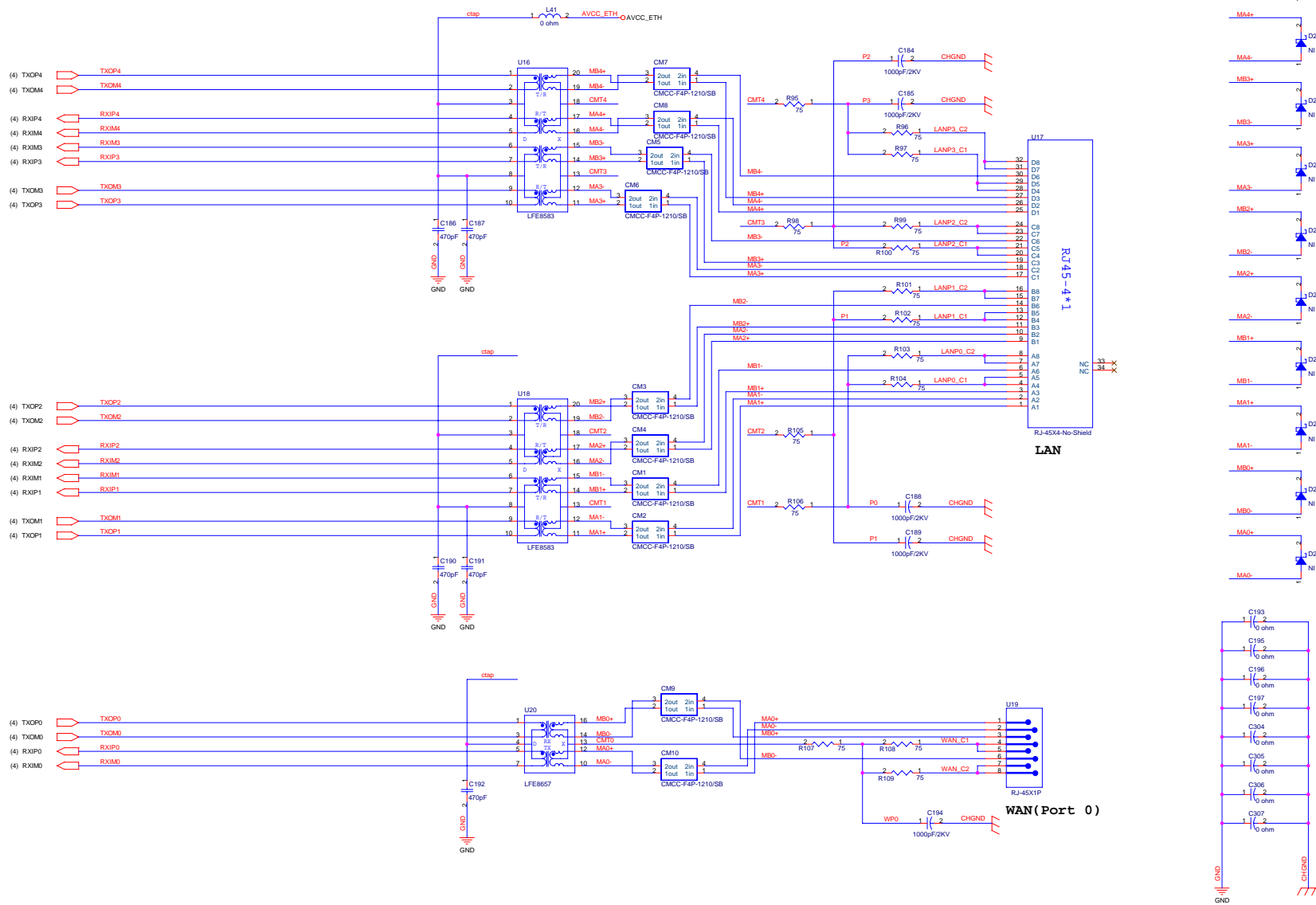
Boot Up Strapping

Pin Name	Description	Value=0	Value=1
MA[9:8]	BOOT FROM	00 : 16bit flash* 01 : 8bit flash 10 : NAND Flash 11 : Internal ROM	
MA10	CPU CLK SEL	320Mhz	384Mhz*
MA12	BIG ENDIAN	Little*	Big
MA13	Bypass PLL	Not Bypass*	Bypass
MA14	Boot Addr	0x1FC00000*	0x1F000000
MA15	Reserved		
MA[17:16]	GE MODE	Gagabit Port Mode 00 : RGMII (10/100/1000 bps)* 01 : MII(10/100M bps) 10 : Reversed MII(10/100M bps) 11 : Reversed	
MA18	Reserved		
MA19	Reserved		
MA20	iNIC SDRAM	2MB*	8MB
MA21	iNIC Config	NA	EEPROM /MA20



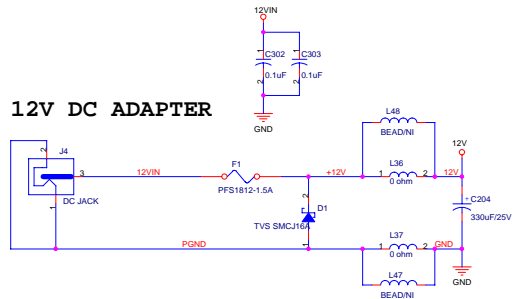
RALINK TECHNOLOGY, CORP. CONFIDENTIAL		
		
Title	LNA	
Size	Document Number	Rev
B	32-LNA.SCH	2.4
Date:	Tuesday, April 14, 2009	Sheet 9 of 14



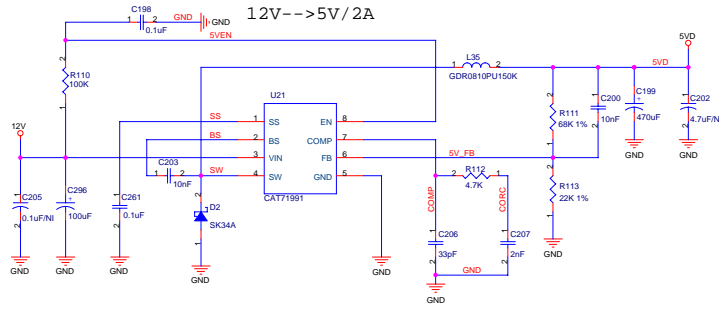


RALINK TECHNOLOGY, CORP. CONFIDENTIAL			
	file	RJ45	
	Size	Document Number	Rev
	C	4-XMER-RJ45.SCH	2.4
date		Monday, April 06, 2009	Sheet 11 of 14

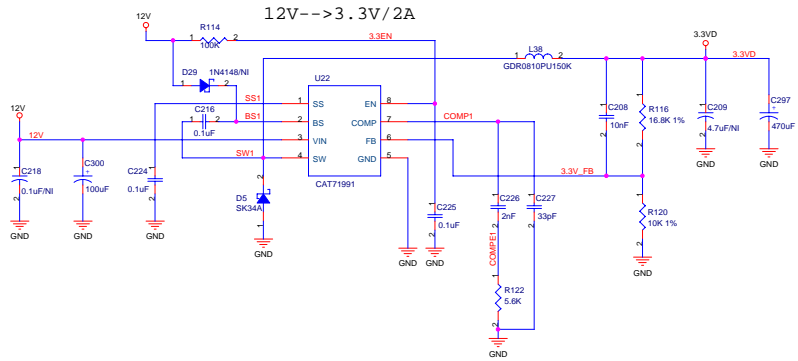
12V DC ADAPTER



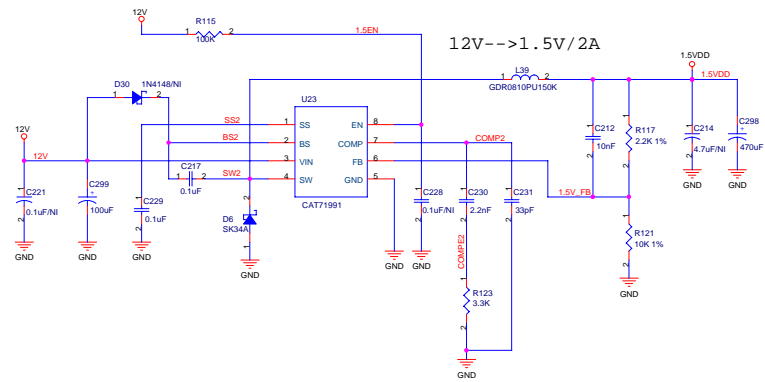
12V-->5V/2A



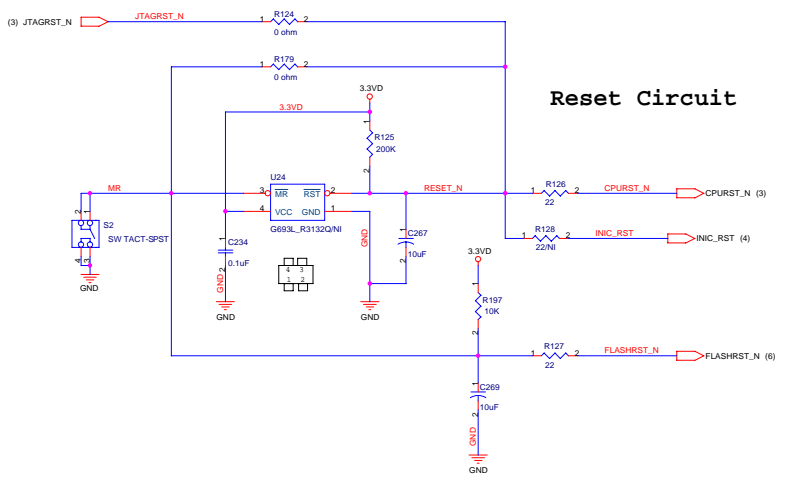
12V-->3.3V/2A



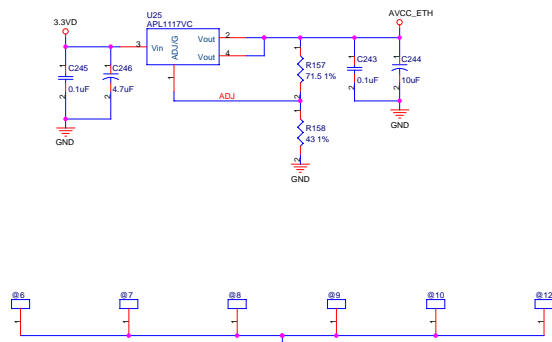
12V-->1.5V/2A

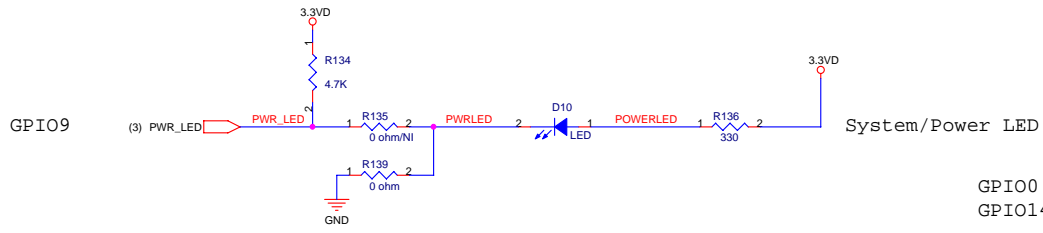
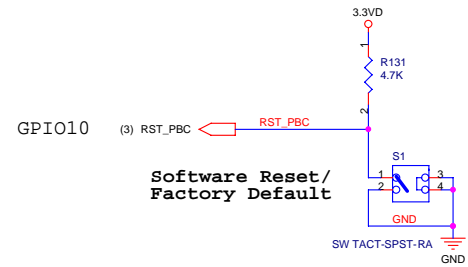
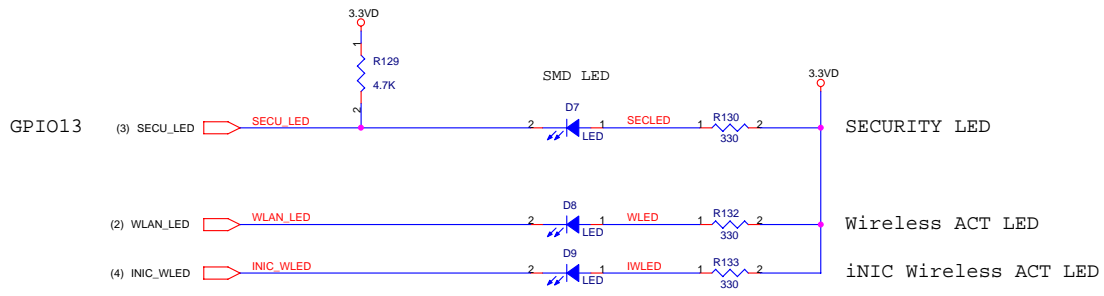


Reset Circuit

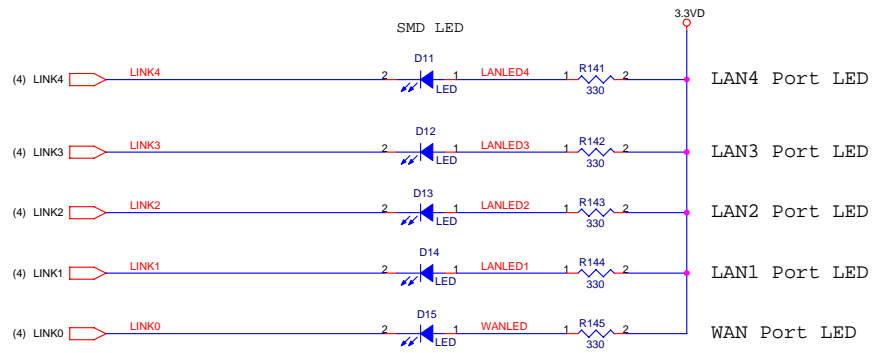
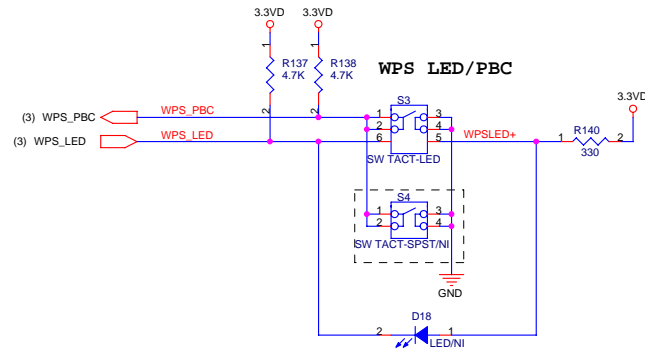


For Transformer





GPIO0
GPIO14



		RALINK TECHNOLOGY, CORP. CONFIDENTIAL	
		Title	LED
Size	B	Document Number	6-LED.SCH
Date:	Wednesday, March 18, 2009	Sheet	13 of 14
			Rev 2.4

