



# GSM/GPRS Digital Baseband Processor For Smartphone and Wireless Handheld Devices

## Preliminary Technical Data

## AD6528

### FEATURES

Complete Single Chip Programmable Digital Baseband Processor divided into three main subsystems:

**Control Processor Subsystem including:**

- 32-bit MCU ARM7TDMI® Control Processor
- On-chip System SRAM Memory

**DSP Subsystem including**

- 16-bit Fixed Point DSP Processor
- Expanded Data and Program SRAM
- Program Instruction Cache
- Full Rate, Enhanced Full Rate and Half Rate Speech Encoding/Decoding

**DMA Subsystem including**

- 16/32 channel chaining DMA

**Peripheral Functions**

- Parallel and Serial Display Interface
- Fast USB slave interface/ Fast IrDA
- SPI slave/master
- MMC/SD-Card support
- Keypad Interface
- FLASH Memory Interface
- Pseudo SRAM support
- 13/26 MHz clock detection
- 1.8V and 3.0V, 64 kbps SIM Interface
- Universal System Connector Interface
- Baseband Converter Interface
- Data Services Interface

**Control of Radio Subsystem**

- Three independent programmable backlight outputs

- Real Time Clock with Alarm

- Programmable Power and Clock Management

- Slow Clocking Scheme for Low Idle Mode Current

- Power Down modes

- On-chip support for GSM Data Services up to

  - 14.4kbts/sec, Class 12 GPRS, HSCSD

- JTAG Interface for Test and In-Circuit Emulation

- 1.8V Typical Operating Voltage

- Operating Voltage Range 1.7V - 1.9V

- Independent I/O and Memory Voltages

- 160-Ball LFBGA (mini-BGA) package

### APPLICATIONS

- GSM850/900/DCS1800/PCS1900 Smartphone and Wireless PDA/Handheld Computers

- GSM Phase 2 & GPRS Compliant

- Full support for Java™, M-Services, and Multimedia Messaging Services (MMS)

ARM® and ARM7TDMI® are registered trademarks of ARM Limited  
SoftFone® is a trademark of Analog Devices, Inc. Java™ is a trademark of Sun Microsystems, Inc.

### Rev. PrA

This Information applies to a product under development. Its characteristics and specifications are subject to change without notice. Analog Devices assumes no obligation regarding future manufacture unless otherwise agreed to in writing. No responsibility is assumed by Analog Devices for its use; nor for any infringements of patents or other rights of third parties that may result from its use. No license is granted by implication or otherwise under any patent or patent rights of Analog Devices.

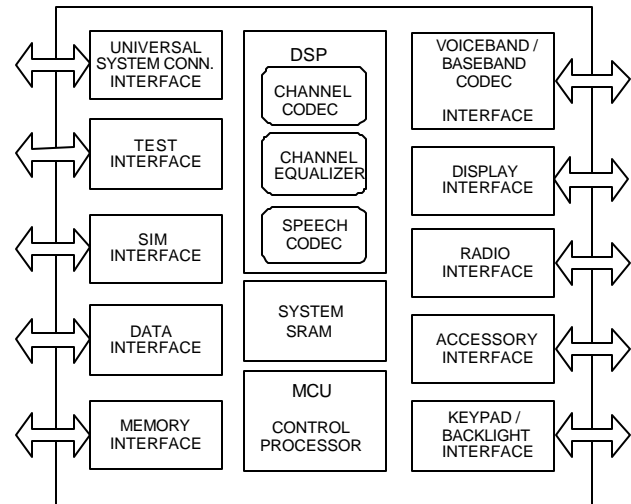


FIGURE 1. AD6528 FUNCTIONAL BLOCK DIAGRAM

### GENERAL DESCRIPTION

The AD6528 is the third device in the Analog Devices AD20msp430 series of SoftFone® GSM Baseband Processors. The AD6528 is intended for use in feature-rich Smartphone and Wireless PDA/handheld computer applications with GSM/GPRS connectivity. It is designed to interface easily to an application processor in such systems.

The AD6528 integrates full rate, enhanced full rate and half rate speech codecs as well as a full range of data services including circuit-switched 14.4kb/s, GPRS to Class 12, and HSCSD. In addition, it supports A5/1 and A5/2 encryption algorithms as well as operation in non-encrypted mode.

The highly programmable architecture and sophisticated internal communication channels of the AD6528 offer maximum flexibility to system designers. It can adapt to tighter requirements led by changes in standards and multi-standard handset implementation.

A complete data sheet is available under Non-Disclosure Agreement to pre-qualified developers of GSM/GPRS terminal equipment. Contact your local Analog Devices Sales Office.

## 射频和天线设计培训课程推荐

易迪拓培训([www.edatop.com](http://www.edatop.com))由数名来自于研发第一线的资深工程师发起成立,致力并专注于微波、射频、天线设计研发人才的培养;我们于 2006 年整合合并微波 EDA 网([www.mweda.com](http://www.mweda.com)),现已发展成为国内最大的微波射频和天线设计人才培养基地,成功推出多套微波射频以及天线设计经典培训课程和 ADS、HFSS 等专业软件使用培训课程,广受客户好评;并先后与人民邮电出版社、电子工业出版社合作出版了多本专业图书,帮助数万名工程师提升了专业技术能力。客户遍布中兴通讯、研通高频、埃威航电、国人通信等多家国内知名公司,以及台湾工业技术研究院、永业科技、全一电子等多家台湾地区企业。

易迪拓培训课程列表: <http://www.edatop.com/peixun/rfe/129.html>



### 射频工程师养成培训课程套装

该套装精选了射频专业基础培训课程、射频仿真设计培训课程和射频电路测量培训课程三个类别共 30 门视频培训课程和 3 本图书教材;旨在引领学员全面学习一个射频工程师需要熟悉、理解和掌握的专业知识和研发设计能力。通过套装的学习,能够让学员完全达到和胜任一个合格的射频工程师的要求...

课程网址: <http://www.edatop.com/peixun/rfe/110.html>

### ADS 学习培训课程套装

该套装是迄今国内最全面、最权威的 ADS 培训教程,共包含 10 门 ADS 学习培训课程。课程是由具有多年 ADS 使用经验的微波射频与通信系统设计领域资深专家讲解,并多结合设计实例,由浅入深、详细而又全面地讲解了 ADS 在微波射频电路设计、通信系统设计和电磁仿真设计方面的内容。能让您在最短的时间内学会使用 ADS,迅速提升个人技术能力,把 ADS 真正应用到实际研发工作中去,成为 ADS 设计专家...



课程网址: <http://www.edatop.com/peixun/ads/13.html>



### HFSS 学习培训课程套装

该套课程套装包含了本站全部 HFSS 培训课程,是迄今国内最全面、最专业的 HFSS 培训教程套装,可以帮助您从零开始,全面深入学习 HFSS 的各项功能和在多个方面的工程应用。购买套装,更可超值赠送 3 个月免费学习答疑,随时解答您学习过程中遇到的棘手问题,让您的 HFSS 学习更加轻松顺畅...

课程网址: <http://www.edatop.com/peixun/hfss/11.html>

## CST 学习培训课程套装

该培训套装由易迪拓培训联合微波 EDA 网共同推出,是最全面、系统、专业的 CST 微波工作室培训课程套装,所有课程都由经验丰富的专家授课,视频教学,可以帮助您从零开始,全面系统地学习 CST 微波工作的各项功能及其在微波射频、天线设计等领域的设计应用。且购买该套装,还可超值赠送 3 个月免费学习答疑...

课程网址: <http://www.edatop.com/peixun/cst/24.html>



## HFSS 天线设计培训课程套装

套装包含 6 门视频课程和 1 本图书,课程从基础讲起,内容由浅入深,理论介绍和实际操作讲解相结合,全面系统的讲解了 HFSS 天线设计的全过程。是国内最全面、最专业的 HFSS 天线设计课程,可以帮助您快速学习掌握如何使用 HFSS 设计天线,让天线设计不再难...

课程网址: <http://www.edatop.com/peixun/hfss/122.html>

## 13.56MHz NFC/RFID 线圈天线设计培训课程套装

套装包含 4 门视频培训课程,培训将 13.56MHz 线圈天线设计原理和仿真设计实践相结合,全面系统地讲解了 13.56MHz 线圈天线的工作原理、设计方法、设计考量以及使用 HFSS 和 CST 仿真分析线圈天线的具体操作,同时还介绍了 13.56MHz 线圈天线匹配电路的设计和调试。通过该套课程的学习,可以帮助您快速学习掌握 13.56MHz 线圈天线及其匹配电路的原理、设计和调试...

详情浏览: <http://www.edatop.com/peixun/antenna/116.html>



### 我们的课程优势:

- ※ 成立于 2004 年,10 多年丰富的行业经验,
- ※ 一直致力并专注于微波射频和天线设计工程师的培养,更了解该行业对人才的要求
- ※ 经验丰富的一线资深工程师讲授,结合实际工程案例,直观、实用、易学

### 联系我们:

- ※ 易迪拓培训官网: <http://www.edatop.com>
- ※ 微波 EDA 网: <http://www.mweda.com>
- ※ 官方淘宝店: <http://shop36920890.taobao.com>